

# IT-6829G-HD-8MP

## 4K HD Network Box Camera



### FEATURES

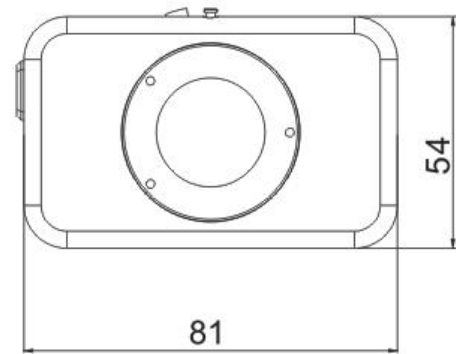
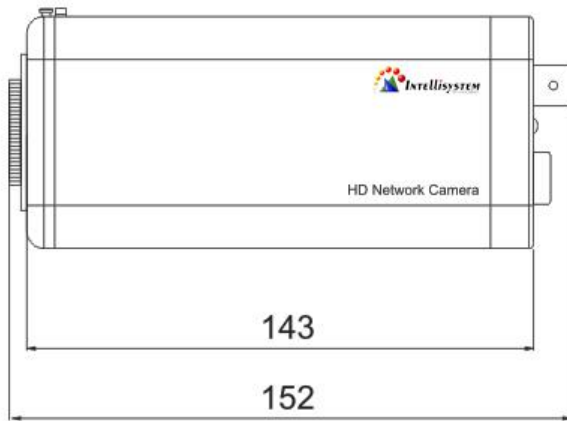
- H.265/ H.264/ M-JPEG, Support Multiple Stream Transmission
- Max 8 Megapixel Resolution (3840x2160@25/30fps)
- Built-in Auto-Switch ICR, True Day/Night
- Support 3DNR and ROI
- Customizing application scenarios and configuring parameters of images, Auto-switch As Planned
- Excellent WDR to show high quality image in areas where both extremely light and darkness exist simultaneously
- Support Corridor Mode, adapt to the special areas showing in long and narrow corridor
- Support Micro SD/SDHC/SDXC, Max. 128GB, WDR≥120dB
- Support ONVIF, DC12V/AC24V/POE



### SPECIFICATIONS

Model	Model No.	<b>IT-6829G-HD-8MP</b>
	Type	4K HD Network Box Camera
Camera	Sensor	1/2.5" 8MP Sony Scan CMOS
	Min. Illumination	Color: 0.01Lux @(F1.2, AGC ON), B/W: 0.001Lux @(F1.2, AGC ON)
	Electronic Shutter	1 / 25 ~ 1 / 10000
	Lens Mount	C/CS
	S/N Ratio	>50dB
	Aperture	DC-Drive, Support Auto/Manual/Fixed Iris Lens
	Day/ Night	Auto-Switch ICR
	WDR	≥120db
	HLC	Support Electronic Shutter and Gain Adjustment To Suppress Strong light
	BLC	ON / OFF
Compression	Video Compression	H.265/ H.264 / MJPEG, Support Multiple Stream Transmission
	Stream Control	VBR/ CBR/ LBR
	Audio Compression	G.711
Images	Max Size	UHD-4K(3840x2160)
	Frame Rate	UHD-4K(3840x2160) 25/30Fps
	Image Setting	Image Format Adjustable, Standard, Code Rate, Brightness, Contrast, Saturation, Sharpness, White Balance, Image Flip, and Mirror (Passage Mode) 4A Auto Control, AWB, AGC,AE, AIC, Privacy Mask, No hangover DNR Technology; Support over 3 different contents in any area, including Date, Time, Week, Channel Name, Remark and other information in OSD Menu; Image Flip: Normal 90°/ 180°/ 270°, Manual, Day/Night Mode, Longitude And Latitude Image Mode.
	Intelligent Alarm	Motion Detection, Alarm Sensor Linkage, Cable break, IP Address Conflict, Storage Full, and Storage Error.
	Alarm Linkage	Through FTP, HTTP and Image server upload Alarm info and Video Documents; Start SD/SDHC Recording; Relay Output.
	Internet Protocols	TCP/IP, UDP, RTP, RTSP, RTCP, HTTP, DNS, DDNS, DHCP, FTP, NTP, PPPOE, SMTP,
	Compatible Protocols	ONVIF, GBT 28181
	General	Password Protection, Multi-access Control, Support Unicast and Multicast, Support IP Address Filtration Control; UPnP Protocols, easily search and manage IP cameras in batch, Continuous Transmit once Internet Reconnected, Redundancy Transmit Function, Support Auto Timing and Remote Upgrade. Restore Factory Settings, Image Rotation, Privacy Mask, Access Port Setting.
Interfaces	Audio Interface	1CH Output, 16, 30mw Output Power; 1CH Input, 2Vp-p, 1kΩ, MIC /Pickup
	Communication	1 RJ45 10Base-T/100Base-TX, 1CH RS232(RS-485 Interface)
	Video Output	1CH CVBS(BNC Interface, 1.1Vp-p±10%, RL=75Ω), 1-CH HDMI 1.4a HD CVBS
	Alarm I / O	2 CH Input, Vin<=0.3V; 1CH Output 1A/ 125VAC, 1A/ 30VDC
	USB Interface	1* USB Interface
	Local Storage	Micro SDHC/SDXC Slot, Max. 128GB
	Mobile Surveillance	Support
General	Working Conditions	-20°C ~ 60°C, 20-80% RH (non-condensing)
	Power Supply	POE, DC12V /AC24V ±10%
	Dimensions (mm)	152 (L)x 81(W)x 54(H)mm (Without Lens)
	Weight (with package)	820g

**DIMENSIONS** (Unit: mm)



**Application For Financial, Supermarket, Telecom, Government, School, Airport, Factory, Hotel, Train Station and Other Indoor/ Outdoor Places.**